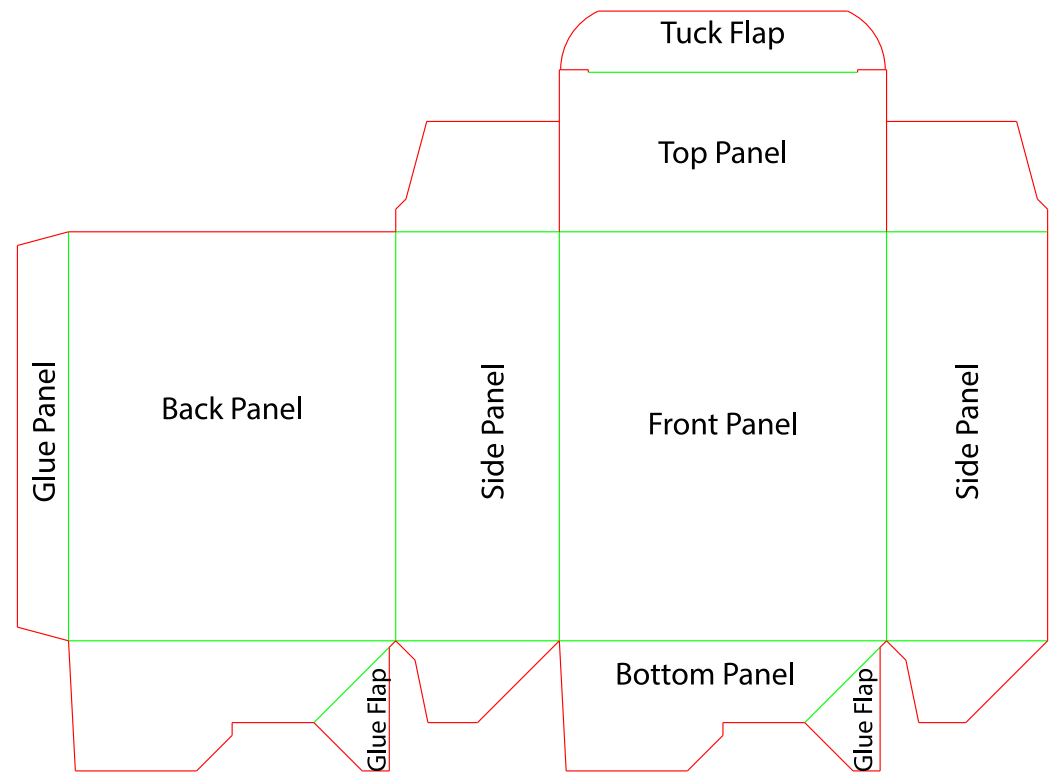
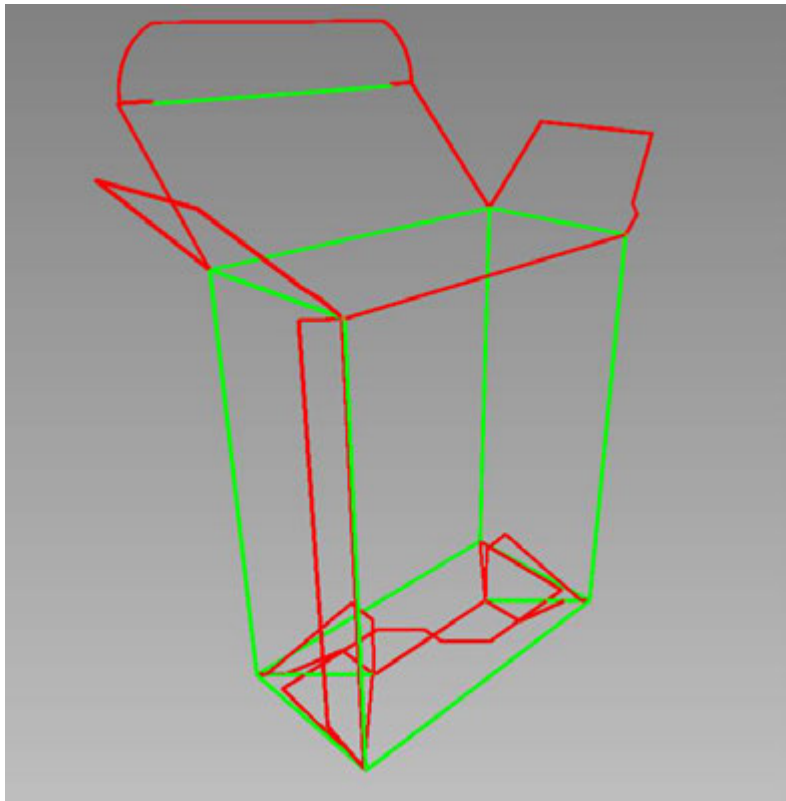




Auto Locking Bottom

This is a pre-glued closure that allows the carton to fold down flat, but then locks into place when the carton is folded. The glued flaps automatically position themselves to close and lock.



Clearpak Inc. is a leading manufacturer of clear plastic packaging encompassing transparent boxes, cartons, counter displays, tubes, sleeves, thermoform and more. Our design team can create a retail package to ensure your product demands attention on crowded shelves. Contact us for a quote or help in designing your package.

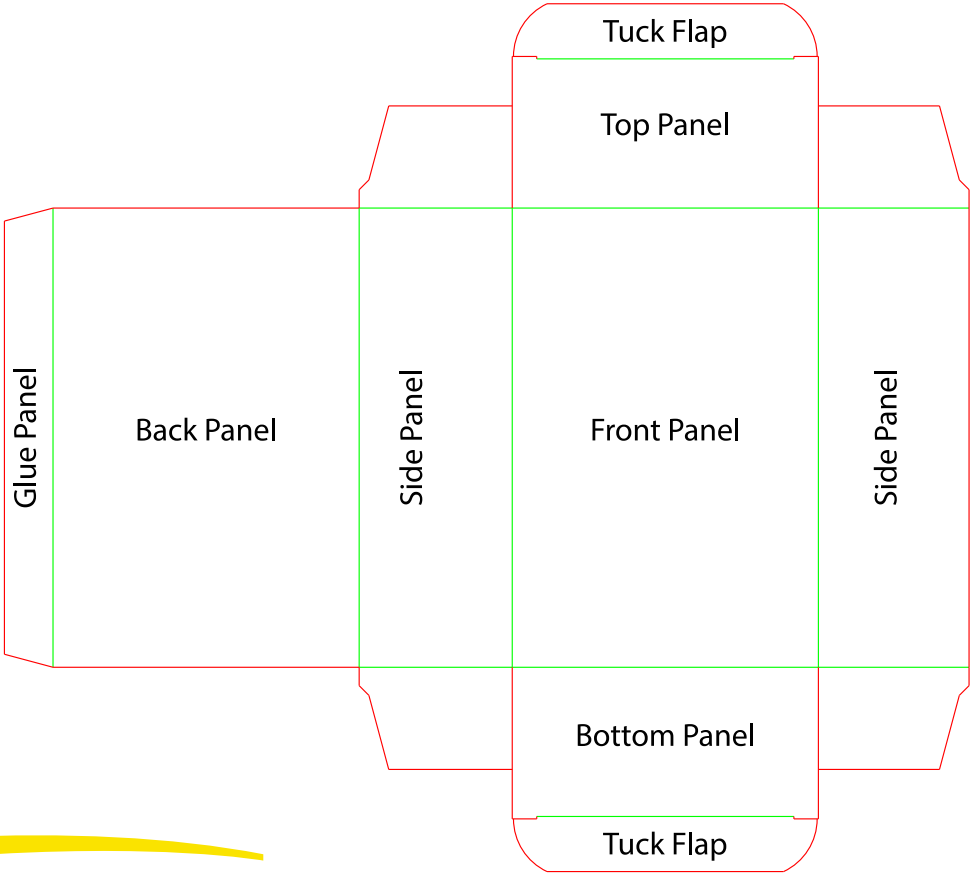
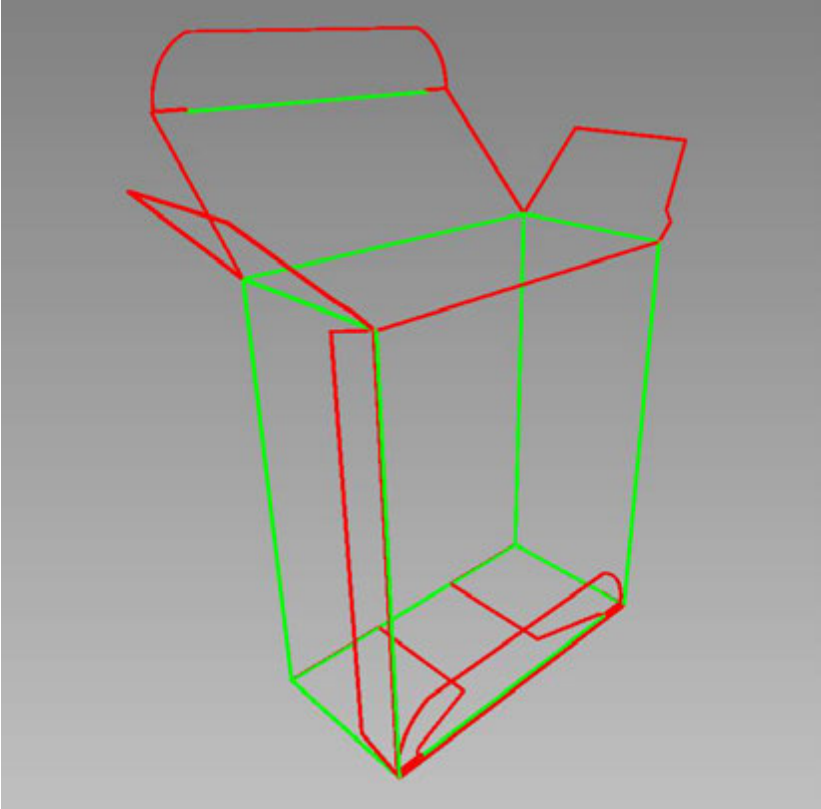
ClearPak Inc.
623 South Service Road
Grimsby, ON L3M 4E8 Canada

Phone: 905.643.3593 Email: info@clearpak.com



Straight Tuck

This style features closure panels on both the top and bottom that swing from the rear to tuck into the front.



ClearPak Inc.

623 South Service Road
Grimsby, ON L3M 4E8 Canada

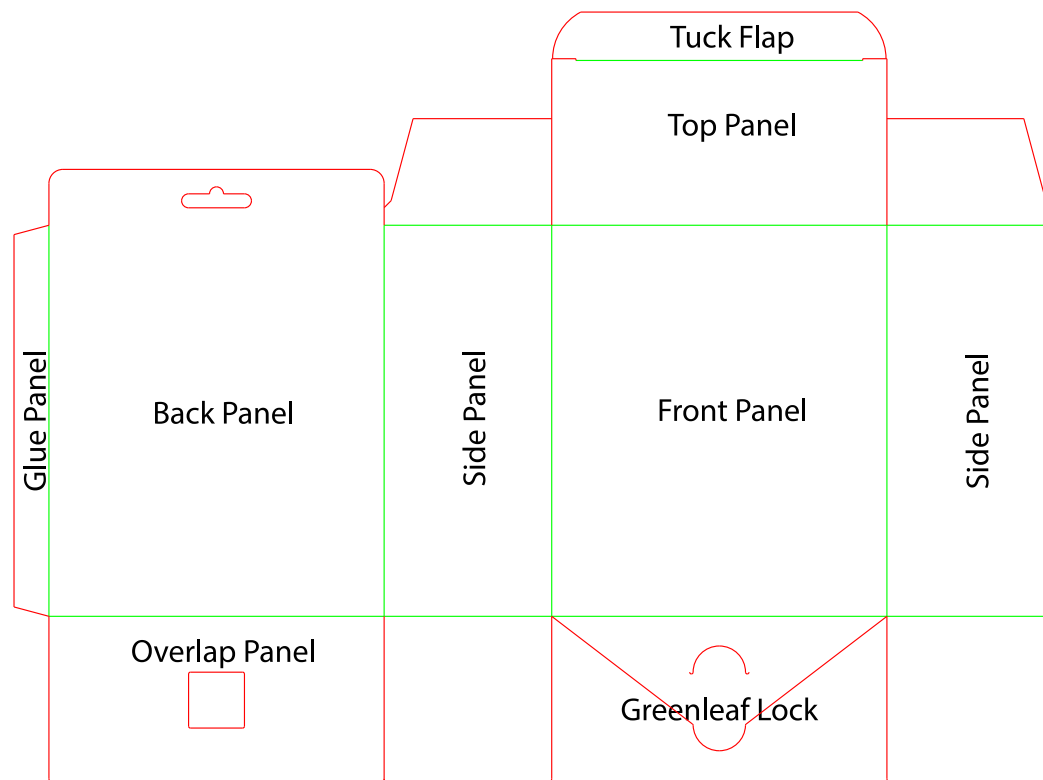
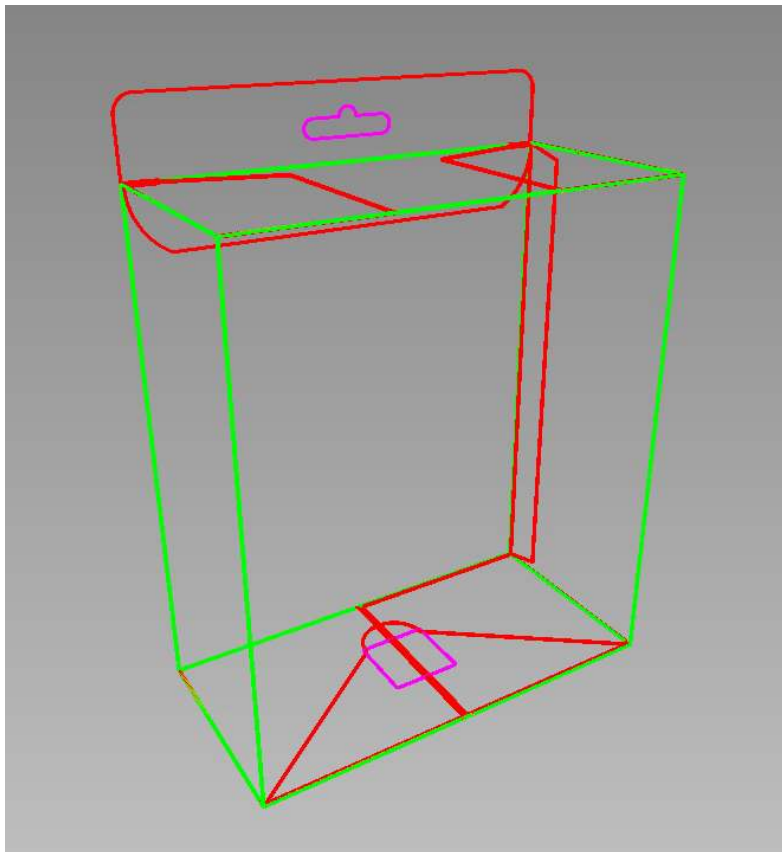
Phone: 905.643.3593 Email: info@clearpak.com

The Difference is Clear.



Greenleaf Bottom

A greenleaf closure is a very secure style that can support a lot of weight. It uses one main closure panel with two opposite facing tabs. These tabs wedge into a square aperture on the overlap panel forming a strong and secure closure.



Ask us about printing on your clear plastic folding carton. We also offer printing on inserts, foil stamping, embossing and debossing. We take pride in the work we produce for our Canadian, United States and North American customers.

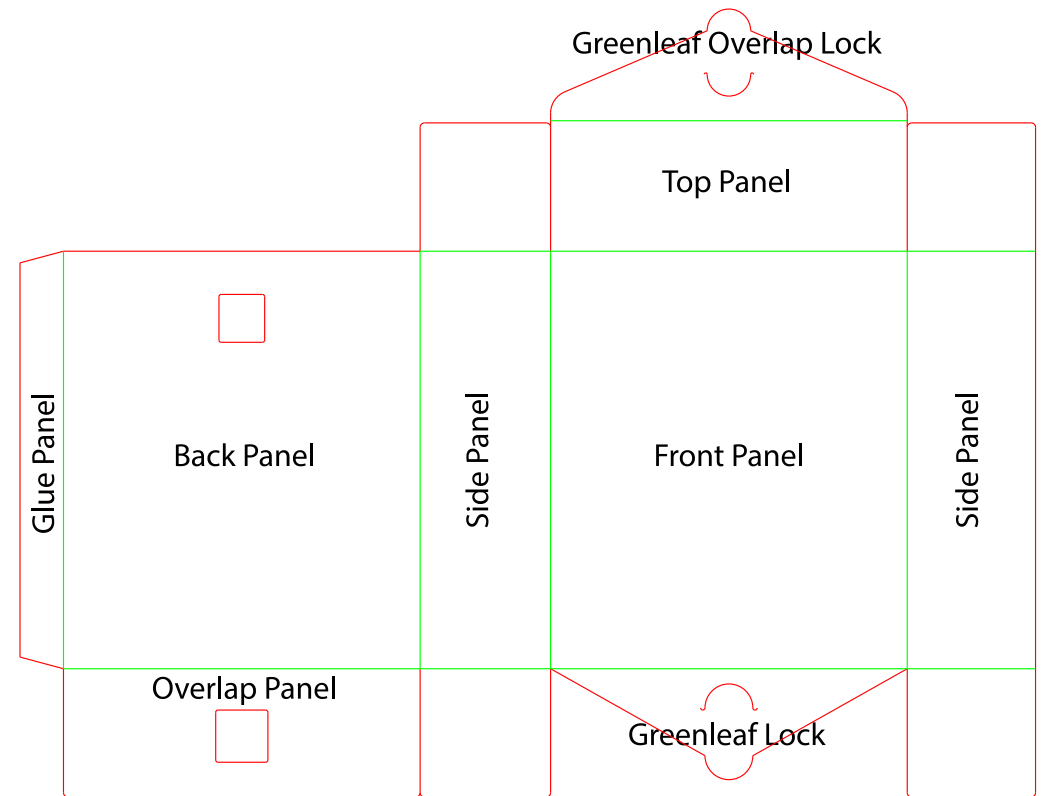
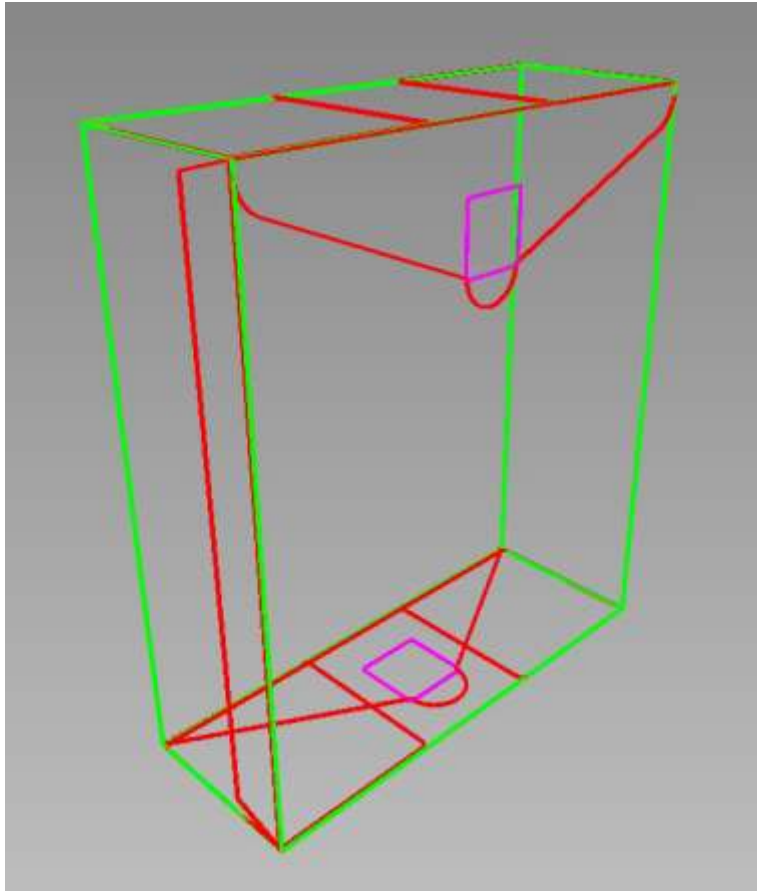
ClearPak Inc.
623 South Service Road
Grimsby, ON L3M 4E8 Canada

Phone: 905.643.3593 Email: info@clearpak.com



Greenleaf Overlap Lock

This style features an overlapping greenleaf closure on the top. The same can be applied to the bottom. The two tabs of the greenleaf overlapping lock are inserted into the aperture on the back panel for a strong and secure lock.



Get the Clearpak difference. Our packaging helps show off your product leading to increased sales. With over 25 years experience, and numerous awards, our products and services help you stand out on the shelf.

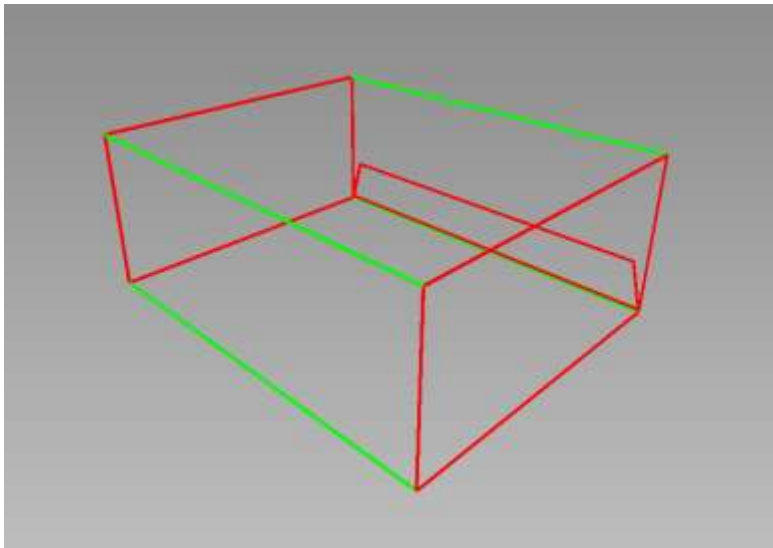
ClearPak Inc.
623 South Service Road
Grimsby, ON L3M 4E8 Canada

Phone: 905.643.3593 Email: info@clearpak.com



Sleeve

This style features open ends on the top and bottom and is sized to fit snugly over another package or product.



Committed to the Environment

As a leading global manufacturer of quality folding cartons for packaging and printing/specialty applications, we embrace sustainability and believe that sustainable business practices are essential to the well-being of future generations. Our sustainability commitment covers all three components of sustainability – environmental protection, social responsibility and economic development.

ClearPak Inc.
623 South Service Road
Grimsby, ON L3M 4E8 Canada

Phone: 905.643.3593 Email: info@clearpak.com